

L85V

PRODUCT SPECIFICATIONS

85% OIL FURNACE VARIABLE SPEED

FORM NO. AL851V-100 (07/2015)



L85UF = Upflow / Highboy
L85BF/R = Basement / Lowboy

CONFIGURATIONS

- Upflow / Highboy
- Basement / Lowboy

HEAT EXCHANGER

- Heavy-duty 14 gauge steel with a long lasting, high temperature ceramic fiber combustion chamber
- Easy access large diameter stainless steel cleanout ports

CABINET

- Foil-faced high density fiberglass insulation reduces heat loss and sound
- Pre-painted steel for maximum durability

AIR DELIVERY

- EON variable speed blower motor
- Motor features “soft start” and “soft stop” for quiet operation
- Active and passive dehumidification feature
- Easily removable slide-out blower design
- Dynamically balanced blower wheel and resilient motor mounts for smooth and quiet operation

BURNER

- High quality Beckett™ Flame Retention NX Burner for efficient combustion
- High efficiency PSC Burner motor to provide consistent operation through all operating conditions
- Solid state ignition provides a consistent 10,000 volts for smooth ignition

INSTALLATION/SERVICEABILITY

- Includes standard barometric damper
- Low GPH nozzle installed, higher GPH nozzle provided (shipped loose)

WARRANTY

10 year limited parts warranty / lifetime heat exchanger warranty available. See limited warranty document for details.

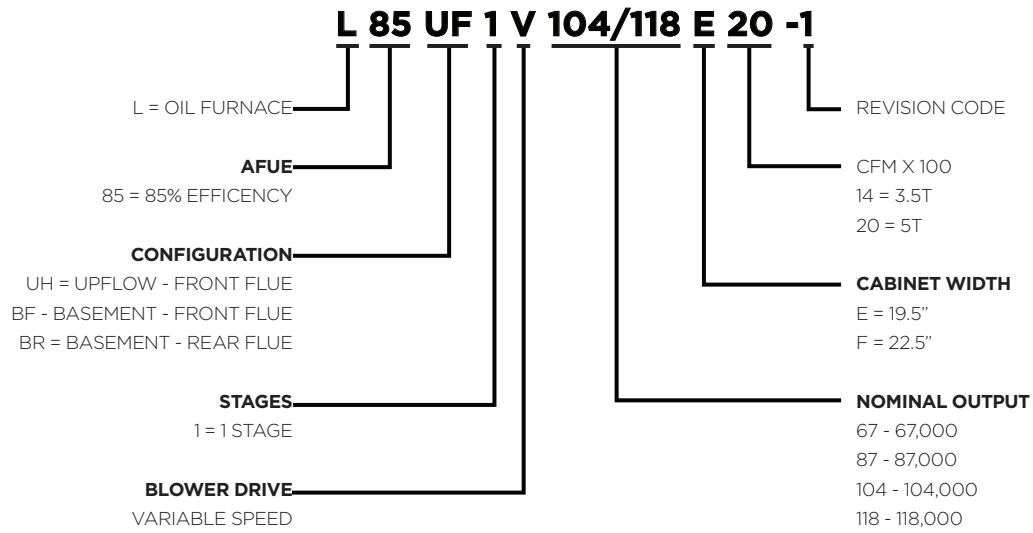
GENISYS™ ADVANCED BURNER CONTROL

(MODEL: 7505P152M) FEATURES THE FOLLOWING:

- Programmable valve-on delay and motor-off delay
- Three indicator lights for system monitoring and diagnostics
- Two communication ports for adding alarm contacts, programming display, and/or future wireless communications
- Welded relay protection with redundant motor relays
- Limited reset and limited recycle
- Sleek, modern design
- Technician Pump Prime mode



MODEL NUMBER GUIDE



PHYSICAL AND ELECTRICAL DATA

Configuration	Model	Nozzle Size	Input (Btuh)	Output (Btuh)	AFUE	Nom. Cooling Cap.	Flue Dia. (in.)	Filter Size (in.)	Volts/Hz/Phase	Max. Time Delay Breaker or Fuse (amp)	Trans. (V.A.)	Shipping Weight (lb.)
Upflow / Highboy	L85UF1V67/87E14	.50GPH-60°A	79,000	67,000	85.0	2.5 - 4.0	6	16 x 25*	120/60/1	15	40	250
		.65GPH-60°A	105,000	87,000								
	L85UF1V104/118F20	.75GPH-60°A	124,000	104,000	85.0	3.0 - 5.0	6	(2) * 16 x 251	120/60/1	15	40	270
		.85GPH-60°A	141,000	118,000								
Basement/Lowboy	L85BF/R1V67/87E14	.50GPH-60°A	79,000	67,000	85.0	2.5 - 4.0	6	18 x 19	120/60/1	15	40	225F
		.65GPH-60°A	105,000	87,000								230R
	L85BF/R1V104/118F20	.75GPH-60°A	124,000	104,000	85.0	3.0 - 5.0	6	19 x 21	120/60/1	15	40	270
		.85GPH-60°A	141,000	118,000								

1 Requires return air be brought to both sides above 1600 CFM
 Note: All models shipped with lower input nozzle installed
 *Filters not included

ACCESSORIES

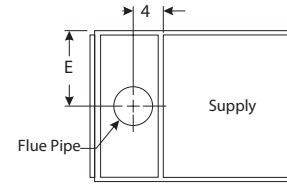
DESCRIPTION	USED WITH	CATALOG NUMBER	KIT NUMBER
Clean Out Kit	All models	1.841025	ABRSH380-3
Field Controls Side Wall Vent Kit *	All models	See Note Below	See Note Below
Evaporator Coil Mounting Kit	L85B(F/R)67/87 to EU1P (18,24,30,36,43,48) BN "B Width"	1.841175	AGOILKDCC19
Evaporator Coil Mounting Kit	L85BF/R67/87 to EU1P (30,43,48,49,50,60) "C Width"	1.841176	AGOILKDCC22
Evaporator Coil Mounting Kit	L85BF/R104/118 to EU1P (60, 62) DN "D Width"	1.841177	AGOILKDCC24
Evaporator Coil Mounting Kit	L85BF/R104/118 to EU1P59DN "D Width" 59 D Only	1.841179	AGOILKDCC27
Combustion Air Kit	All Models	1.841038	ABOOT571
Clean Out Cap Kit	All Models	1.841037	ACAP570
Filter Rack	Only Upflow units (Basement models have racks pre-installed)	R37398C001	5 Pack
Evaporator Coil Cabient Kits			

Note: * This can be ordered from Field Controls, part number SWG-5-CK61.

DIMENSIONS (IN.)

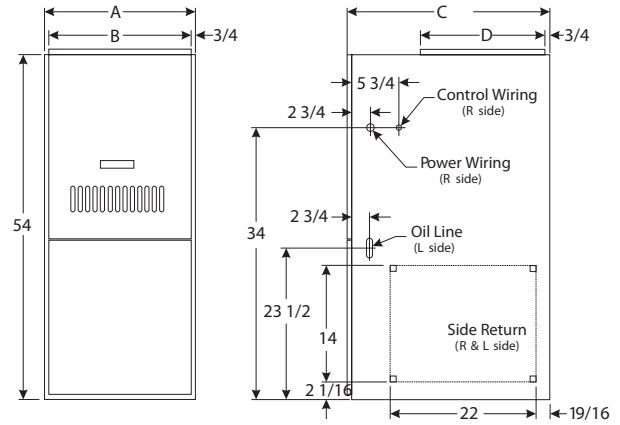
UPFLOW

Model	A	B	C	D	E
L85UF1V67/87E14	19-1/2	18	30-5/8	19-5/8	9-3/4
L85UF1V104/118E20	22-1/2	21	33-1/8	22-1/8	11-1/4



CLEARANCES TO COMBUSTIBLES (IN.)

Model	Front	Sides	Rear	Floor	Above	Flue
L85UF1V67/87E14	4	0	0	Combustible	2	6
L85UF1V112/125E20						



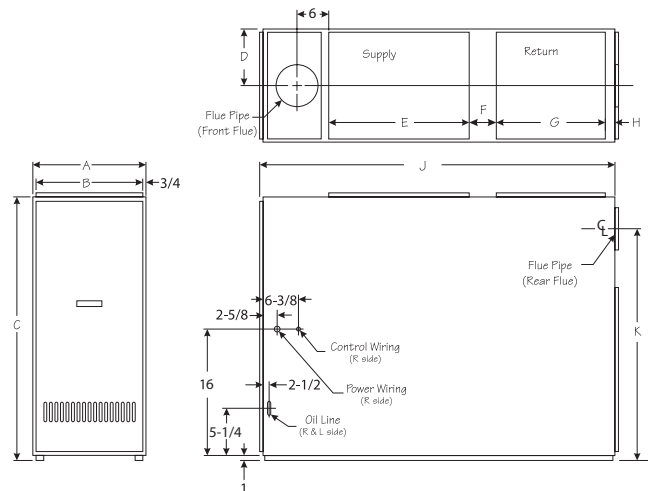
BASEMENT

DIMENSIONS (IN.)

Model	A	B	C	D	E	F	G	H	J	K
L85BF/R1V67/87E14	19-1/2	18	37	9-3/4	21	3-1/4	16	1-1/2	52	N/A
L85BF/R1V104/118E20	22-1/2	21	37	11-1/4	21	3-1/4	16	1-1/2	52	N/A

CLEARANCES TO COMBUSTIBLES (IN.)

Model	Front	Sides	Rear	Above	Flue	Floor
L85BF/R1V67/87E14	4	6	24	2	9	Combustible
L85BF/R1V104/118E20						



BLOWER PERFORMANCE DATA

Configuration	Model	Motor Size (hp)	Blower Size	Nozzle GPH	Temp. Rise °F	Blower Speed Tap	Heating CFM@ 0.50" ESP	Cooling Adjustment	Cooling CFM @ .50 ext static pressure in. W.C.				
									Setting "A"	Setting "B"	Setting "C"	Setting "D"	
Upflow / Highboy	L85UF1V67/87E14	1/2	10 x 10		---	---	---	Nom	1400	1200	1000	800	
						---	---	(+)	1500	1400	1200	1000	
						---	---	(-)	1200	1000	900	650	
						.50	50	D Tap Setting*	1200	---	---	---	---
						.65	50	A Tap Setting*	1500	---	---	---	---
	L85UF1V104/118F20	3/4	12 x 11		---	---	---	Nom	2000	1800	1600	1200	
						---	---	(+)	2000	2000	1800	1600	
						---	---	(-)	1700	1550	1400	1200	
.75						60	C Tap Setting*	1550	---	---	---	---	
			.85	60	A Tap Setting*	1850	---	---	---	---			
Basement / Lowboy	L85BF1V67/87E14	1/2	10 x 9		---	---	---	Nom	1400	1200	1000	800	
						---	---	(+)	1500	1400	1200	950	
						---	---	(-)	1200	1050	860	650	
						.50	50	D Tap Setting*	1200	---	---	---	---
						.65	50	B Tap Setting*	1450	---	---	---	---
	L85BF1V104/118F20	1	12 x 10		---	---	---	Nom	2000	1800	1600	1200	
						---	---	(+)	2100	2000	1800	1350	
						---	---	(-)	1650	1500	1350	950	
						.75	60	C Tap Setting*	1550	---	---	---	---
						.85	60	B Tap Setting*	1730	---	---	---	---
	L85BR1V67/87E14	1/2	10 x 9		---	---	---	Nom	1400	1200	1000	800	
						---	---	(+)	1500	1400	1200	950	
						---	---	(-)	1200	1050	860	650	
						.50	50	D Tap Setting*	1200	---	---	---	---
						.65	50	A Tap Setting*	1550	---	---	---	---
	L85BR1V104/118F20	1	12 x 10		---	---	---	Nom	2000	1800	1600	1200	
---						---	(+)	2100	2000	1800	1350		
---						---	(-)	1650	1500	1350	950		
.75						60	D Tap Setting*	1450	---	---	---	---	
.85						60	B Tap Setting*	1730	---	---	---	---	

Note: All units shipped with low fire nozzle
 * Required tap to maintain recommended rise.



1-800-448-5872

All specifications and illustrations
subject to change without notice and
without incurring obligations.