

# Package Gas/Electric

## 4PGE13E



**10 year limited parts  
warranty / lifetime heat  
exchanger warranty available.  
See limited warranty document  
for details.**

### REFRIGERANT SYSTEM

- Heavy-duty, high efficiency scroll compressor
- Copper tubing with enhanced fin coils
- R410a refrigerant

### HEAT EXCHANGER

- Aluminized steel tubular

### CABINET

- Insulation to minimize heat loss
- Powder paint for maximum durability
- Easy service access
- Louvered grille to protect condenser coil
- One piece "no leak" top design
- Weather protected heavy-duty condenser fan motor
- Aluminum fan for long life
- Internal filter rack

### BLOWER

- Insulated compartment to reduce sound
- Easy service split-ring design with quick plug-in wiring
- PCS pre-lubricated motor for low maintenance and maximum efficiency
- Dynamically balanced blower wheel with resilient motor mounts for smooth and quiet operation

### CONTROLS

- Trade available components
- Solid state integrated blower control/ignition control board with L.E.D. diagnostics
- Color coded wiring for easy service

### INSTALLATION

- Horizontal or down discharge
- L models comply with California Low NOx regulations
- Rectangular duct covers

### ACCESSORIES

- Hinged Roofcurb
- Lifting Brackets
- Internal Filter Kits
- Low Ambient Kit
- LP Gas Conversion



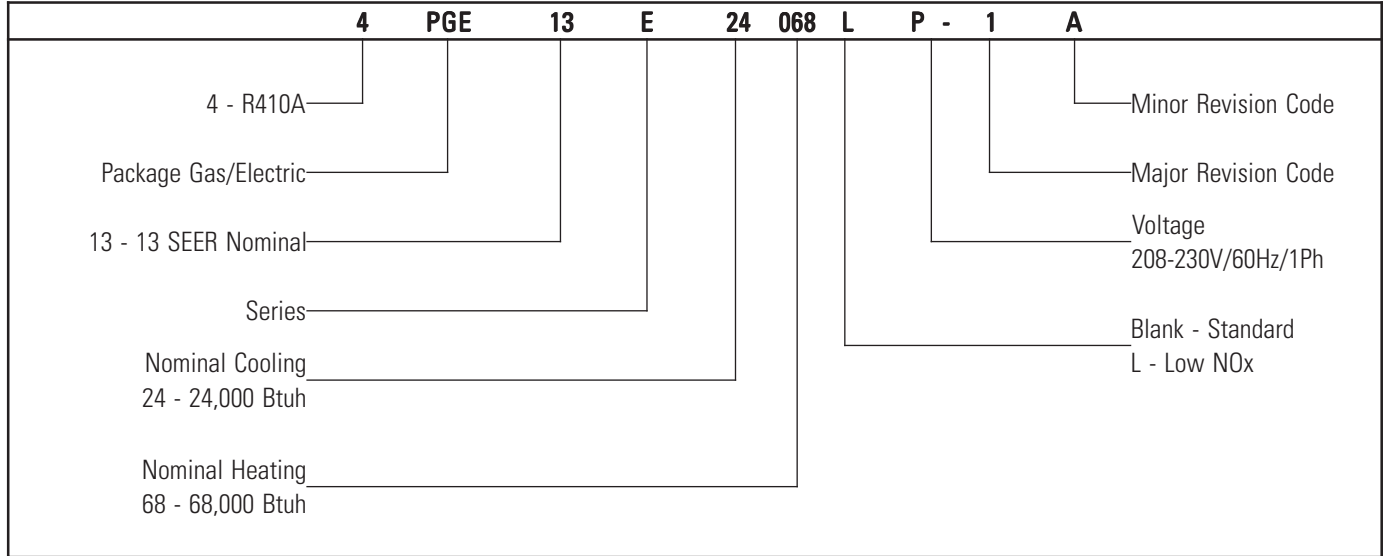
GAS-FIRED



## AIREASE

Built for life. Yours.<sup>SM</sup>

# Model Number Guide



# Physical and Electrical

Model	Voltage/Hz/ Phase	Voltage Range	Min. Circ Amp.	Max. Over current Device (amps)	Compressor		Fan Motor			Indoor Blower		Exhaust Motor		Weight (lbs.)
					Rated Load (amps)	Locked Rotor (amps)	Rated Load (amps)	Rated HP	Nom. RPM	Rated Load (amps)	Rated HP	Rated Load (amps)	Rated HP	
4PGE13E24068P	208-230/60/1	197-253	20	25	13.4	58	1.1	1/5	1075	2.2	1/2	0.7	1/30	390
4PGE13E30068P	208-230/60/1	197-253	21	25	14.1	73	1.1	1/5	1075	2.2	1/2	0.7	1/30	390
4PGE13E36(068,090)P	208-230/60/1	197-253	21	25	14.1	77	1.1	1/5	1075	2.2	1/2	0.7	1/30	415
4PGE13E42(083,110)P	208-230/60/1	197-253	27	35	17.7	112	1.7	1/4	825	3.6	3/4	0.7	1/30	560
4PGE13E48(083,110,138)P	208-230/60/1	197-253	33	40	21.8	117	1.7	1/4	825	3.6	3/4	0.7	1/30	570
4PGE13E60(083,110,138)P	208-230/60/1	197-253	38	50	26.4	134	1.7	1/4	825	3.6	3/4	0.7	1/30	595

## Performance

Model	SEER	EER	Rated ARI Capacity <sup>1</sup>	Rated Sensible Capacity	CFM	Input Btuh	Output Btuh	AFUE	Temp. Rise °F
4PGE13E24068P	13.00	11.75	22,800	17,600	800	67,500	54,000	80%	35-65
4PGE13E30068P	13.00	11.70	28,600	21,500	1000	67,500	54,000	80%	35-65
4PGE13E36068P	13.00	11.20	34,000	25,500	1200	67,500	54,000	80%	35-65
4PGE13E36090P	13.00	11.20	34,000	25,500	1200	90,000	72,000	80%	35-65
4PGE13E42083P	13.00	11.20	41,500	30,300	1400	82,500	66,000	80%	30-60
4PGE13E42110P	13.00	11.20	41,500	30,300	1400	110,000	88,000	80%	45-75
4PGE13E48083P	13.00	11.30	47,500	34,700	1600	82,500	66,000	80%	30-60
4PGE13E48110P	13.00	11.30	47,500	34,700	1600	110,000	72,000	80%	45-75
4PGE13E48138P	13.00	11.30	47,500	34,700	1600	137,500	110,000	80%	45-75
4PGE13E60083P	13.00	11.05	57,500	41,400	1800	82,500	66,000	80%	30-60
4PGE13E60110P	13.00	11.05	57,500	41,400	1800	110,000	88,000	80%	45-75
4PGE13E60138P	13.00	11.05	57,500	41,400	1800	137,500	110,000	80%	45-75

<sup>1</sup>Certified in accordance with Unitary Air Conditioner Certification Program, which is based on ARI Standard 210/240.

## Blower Performance

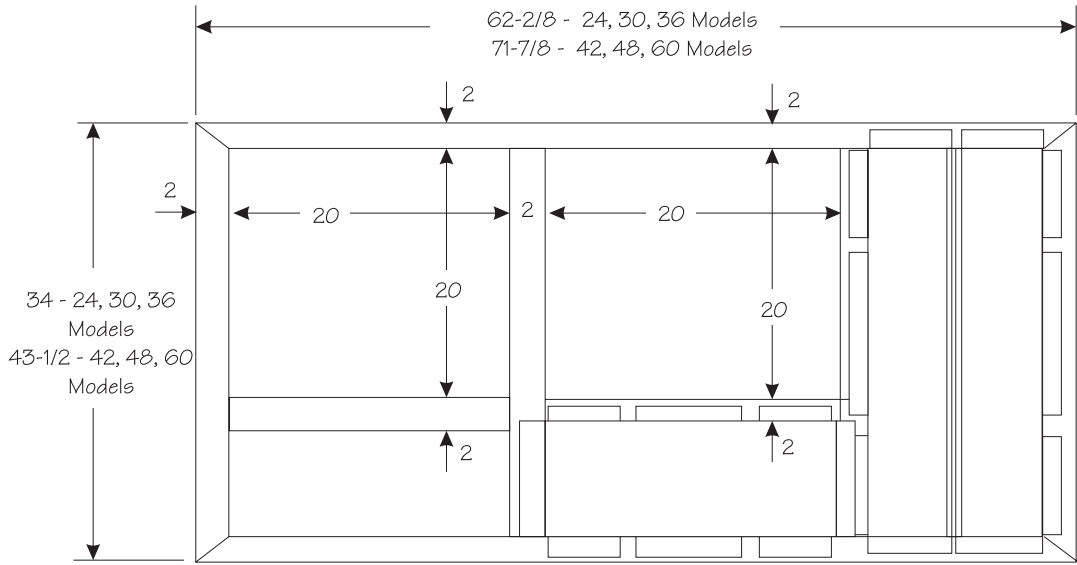
Model	Blower Speed	CFM @ ext. static pressure in in. w.g.						
		.20	.30	.40	.50	.60	.70	.80
4PGE13E24	High	1470	1420	1360	1290	1220	1140	1050
	Med	1070	1060	1020	1000	950	900	830
	Low	880	870	850	820	790	740	690
4PGE13E30	High	1470	1420	1360	1290	1220	1140	1050
	Med	1070	1060	1020	1000	950	900	830
	Low	880	870	850	820	790	740	690
4PGE13E36	High	1510	1460	1400	1330	1250	1180	1100
	Med	1060	1050	1030	990	950	900	850
	Low	870	860	840	820	790	750	680
4PGE13E42	High	2090	2000	1930	1820	1710	1590	1480
	Med	1820	1780	1730	1650	1570	1480	1370
	Low	1520	1480	1450	1440	1410	1360	1260
4PGE13E48	High	2090	2000	1930	1820	1710	1590	1480
	Med	1820	1780	1730	1650	1570	1480	1370
	Low	1520	1480	1450	1440	1410	1360	1260
4PGE13E60	High	2090	2000	1930	1820	1710	1590	1480
	Med	1820	1780	1730	1650	1570	1480	1370
	Low	1520	1480	1450	1440	1410	1360	1260

## Cooling Performance Extended Ratings

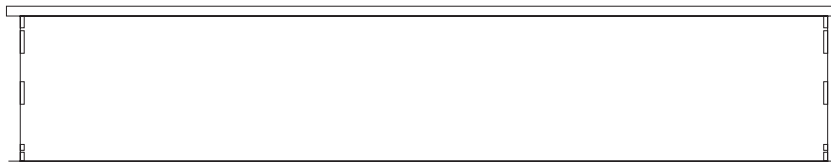
Outdoor Model	Indoor Temp DB/WB °F	Outdoor Temp - DB°F														
		65			82			95			105			115		
		Btuh	S/T	kW	Btuh	S/T	kW	Btuh	S/T	kW	Btuh	S/T	kW	Btuh	S/T	kW
4PGE13E24068P	85/72	26,900	.65	1.67	24,900	.67	1.76	24,200	.74	1.96	22,800	.77	2.16	21,300	.79	2.39
	80/67	25,100	.72	1.51	24,000	.72	1.72	22,800	.77	1.94	21,500	.80	2.14	20,100	.82	2.37
	75/63	24,000	.73	1.49	22,800	.72	1.69	21,700	.80	1.93	20,400	.83	2.13	19,100	.85	2.35
4PGE13E30068P	85/72	33,800	.63	2.10	31,200	.65	2.22	30,300	.72	2.46	28,600	.75	2.72	26,700	.77	3.02
	80/67	31,500	.71	1.90	30,100	.70	2.16	28,600	.75	2.44	27,000	.78	2.70	25,200	.80	2.99
	75/63	30,000	.71	1.88	28,600	.71	2.12	27,200	.78	2.42	25,600	.81	2.68	24,000	.83	2.97
4PGE13E36(068,090)P	85/72	40,100	.63	2.62	37,100	.65	2.77	36,000	.72	3.05	34,000	.74	3.38	31,800	.77	3.75
	80/67	37,400	.71	2.37	35,800	.70	2.70	34,000	.75	3.04	32,100	.77	3.36	30,000	.80	3.73
	75/63	35,700	.71	2.34	34,000	.71	2.64	32,300	.78	3.02	30,500	.80	3.34	28,500	.83	3.70
4PGE13E42(083,110)P	85/72	49,000	.62	3.19	45,300	.64	3.37	44,000	.70	3.71	41,500	.72	4.10	38,800	.75	4.54
	80/67	45,700	.69	2.89	43,700	.68	3.28	41,500	.73	3.70	39,200	.75	4.08	36,600	.78	4.52
	75/63	43,600	.70	2.85	41,500	.69	3.22	39,400	.76	3.67	37,200	.78	4.05	34,800	.81	4.48
4PGE13E48(083,110,138)P	85/72	56,100	.62	3.63	51,900	.64	3.83	50,400	.70	4.24	48,000	.72	4.70	45,200	.74	5.21
	80/67	52,300	.69	3.28	50,000	.68	3.73	47,500	.73	4.21	45,200	.75	4.66	42,700	.77	5.17
	75/63	49,900	.70	3.24	47,600	.69	3.66	45,100	.75	4.18	43,000	.77	4.62	40,500	.79	5.13
4PGE13E60(083,110,138)P	85/72	67,900	.61	4.48	62,800	.63	4.73	61,000	.69	5.24	58,000	.71	5.82	54,800	.73	6.47
	80/67	63,300	.68	4.06	60,500	.67	4.61	57,500	.72	5.20	54,800	.74	5.77	51,700	.76	6.42
	75/63	60,400	.69	4.00	57,600	.68	4.52	54,600	.74	5.16	52,000	.76	5.72	49,100	.78	6.37

# Accessories

Kit Number	Description	Used With
34M72	Low Ambient Kit	All 4PGE's
92M51	Lifting Brackets	All 4PGE's
92M54	Internal Filter Kit	4PGE 24, 30, 36
92M55	Internal Filter Kit	4PGE 42, 48, 60
92M57	LP Conversion Kit	4PGE 68 and 90
92M58	LP Conversion Kit	4PGE 83, 110, and 138
92M99	Roof Curb 8 inch height	4PGE 24, 30, 36
93M00	Roof Curb 14 inch height	4PGE 24, 30, 36
93M01	Roof Curb 8 inch height	4PGE 42, 48, 60
93M02	Roof Curb 14 inch height	4PGE 42, 48, 60



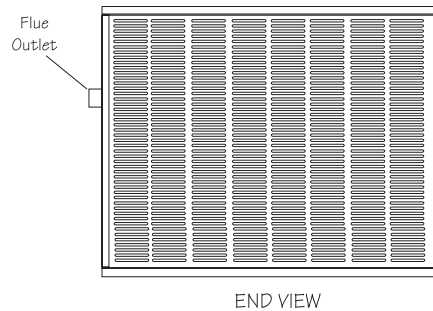
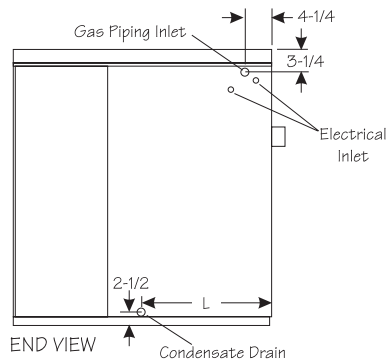
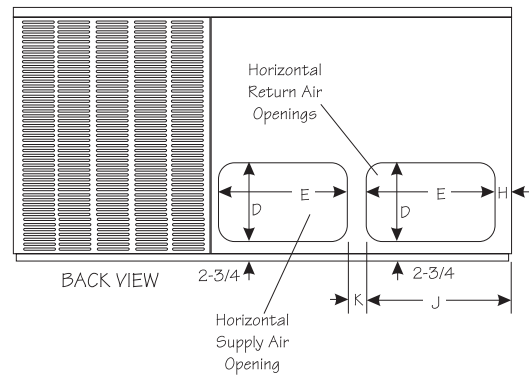
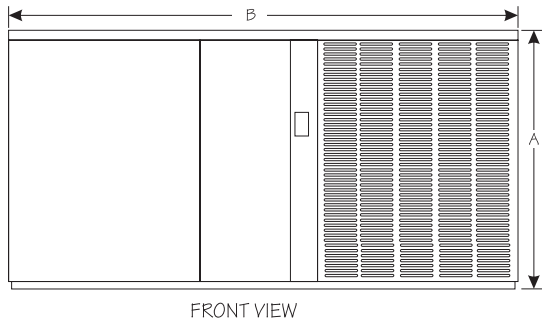
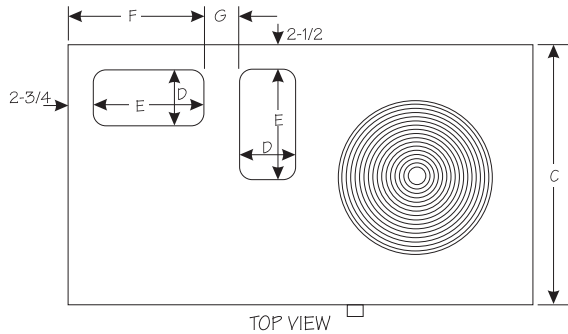
TOP VIEW



SIDE VIEW

# Dimensions (in.)

Model	A	B	C	D	E	F	G	H	J	K	L
4PGE13E24	34 1/4	65 3/8	36 1/2	11 1/4	17 1/4	20	8 1/2	3	20 1/4	4 1/2	19
4PGE13E30											
4PGE13E36											
4PGE13E42	38 1/4	75	46	11 1/4	19 1/4	22	9 1/4	3 1/4	22 1/4	4	16 1/4
4PGE13E48											
4PGE13E60											



**AIREASE**

1-800-448-5872  
www.airease.com