

80% Oil Furnace Horizontal/Counterflow

Oil Furnace LHF/R



Limited lifetime heat exchanger
5 year limited on all parts
Extended warranty available

HEAT EXCHANGER

- Heavy-duty 14 gauge steel with a long lasting ceramic fiber combustion chamber
- Easy access large diameter clean out ports

CABINET

- Foil-faced high density fiberglass insulation reduces heat loss and noise
- Rugged corrosion-resistant pre-painted steel finish protects components and helps assure long life

BLOWER

- Slide-out design with quick plug-in wiring
- 4-Speed PSC permanently lubricated motors with sealed bearings for low maintenance, maximum efficiency, and trouble-free performance
- Dynamically balanced blower with resilient motor mounts for smooth and quiet operation

BURNER

- High quality Beckett Flame Retention burner for efficient combustion
- High efficiency air flow system to provide consistent operation through all operating conditions

CONTROLS

- Honeywell 7184B primary control with 15 second pre-purge, interrupted ignition, limited reset, and LED diagnostics
- Solid state igniter with 20kV output voltage
- PSC motor with low amp draw and ball bearings for long life
- Clean-cut solenoid pump with positive shut-off
- Readily available trade components
- 40 VA transformer
- Color coded wiring for easy service
- Transformer package and cooling fan relay are factory wired for easy add-on cooling installation

VENTING

- Standard barometric damper
- Optional sidewall vent kit

INSTALLATION

- Factory wired
- Knock outs for suspended application

ACCESSORIES

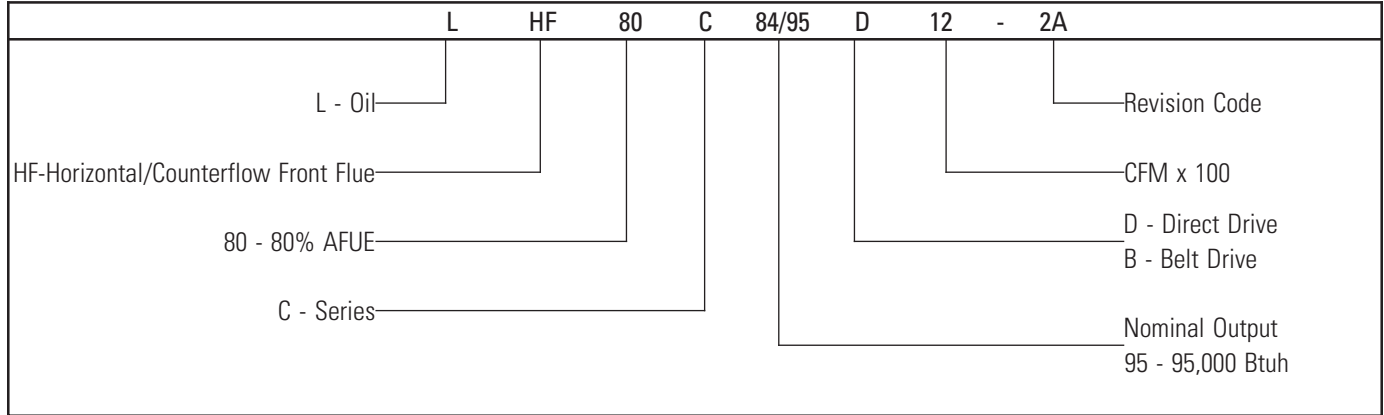
- Cleanout brush kit
- Filter kit



AIREASE

Built for life. Yours.SM

Model Number Guide



Physical and Electrical

Model	Nozzle Size	Input (Btuh)	Output (Btuh)	AFUE (ICS)	Nom. Cooling Cap.	Flue Dia. (in.)	Volts/Hz/Phase	Max. Time Delay Breaker or Fuse (amp)	Trans. (V.A.)	Weight (lb.)
LHF80C84/95D12	.65GPH-80°B	105,000	85,000	81.0	2.0-3.0	6	120/60/1	15	40	225
	.75GPH-80°B	119,000	97,000							
LHF80C112/125D20	.85GPH-80 B	140,000	113,000	81.0	3.0-5.0	6	120/60/1	15	40	265
	1.00GPH-80 B	154,000	125,000							
LHR80C57/72D12	.50GPH-80 A	70,000	57,000	83.0	2.0-3.0	6	120/60/1	15	40	225
	.65GPH-80°B	90,000	74,000							
LHR80C84/95D12	.65GPH-80 B	105,000	85,000	81.0	2.0-3.0	6	120/60/1	15	40	225
	.75GPH-80 B	119,000	97,000							
LHR80C112/125D20	.85GPH-80 B	140,000	113,000	81.0	3.0-5.0	6	120/60/1	15	40	265
	1.00GPH-80 B	154,000	125,000							
LHR80C196D24*	1.25GPH-80°B	210,000	168,000	80.0	4.0-6.0	8	120/60/1	20	40	375
	1.50GPH-80°B	245,000	196,000							

*Approved for horizontal applications only.

Blower Performance

Model	Motor Size (hp)	Blower Size	Temp. Rise °F	Blower Speed	CFM @ ext. static pressure - in w.c.							
					.20	.30	.40	.50	.60	.70	.80	.90
LHF80C84/95D12	1/2	10 x 8	45-75	High	1,410	1,320	1,280	1,195	1,090	1,000	850	790
				Med High	1,340	1,282	1,190	1,100	1,016	900	801	680
				Med	1,236	1,175	1,092	1,015	918	845	732	600
				Low	1,090	1,037	975	900	855	771	665	547
LHF80C112/125D20	3/4	12 x 9	45-75	High	2,072	1,995	1,950	1,900	1,850	1,700	1,650	1,500
				Med High	1,794	1,750	1,690	1,630	1,585	1,495	1,380	1,299
				Med	1,515	1,482	1,430	1,388	1,320	1,257	1,160	1,066
				Low	1,355*	1,326*	1,290*	1,233*	1,176*	1,109*	1,045*	1,000*
LHR80C57/72D12	1/3	10 x 8	45-75	High	1,406	1,341	1,274	1,203	1,126	1,011	915	784
				Med High	1,256	1,206	1,156	1,090	1,012	922	816	684
				Med	1,010	981	948	906	842	774	687	541
				Low	837	818	798	761	716	650	561	406
LHR80C84/95D12	1/2	10 x 10	45-75	High	1,487	1,398	1,303	1,210	1,104	997	871	740
				Med High	1,380	1,303	1,220	1,150	1,033	931	798	672
				Med	1,230	1,170	1,108	1,000	935	847	734	597
				Low	1,057	1,022	970	909	835	754	640	503
LHR80C112/125D20	3/4	12 x 9	45-75	High	2,218	2,141	2,082	2,000	1,907	1,797	1,711	1,590
				Med High	1,782	1,750	1,706	1,649	1,579	1,489	1,408	1,324
				Med	1,552	1,504	1,480	1,440	1,380	1,320	1,251	1,174
				Low	1,353*	1,335*	1,300*	1,277*	1,223*	1,170*	1,074*	1,004*
LHR80C196D24	3/4	12 x 12	60-90	High	2,560	2,500	2,450	2,390	2,230	2,100	1,940	1,800
				Med High	2,100	2,030	1,980	1,960	1,870	1,820	1,750	1,635
				Med	1,580*	1,520*	1,480*	1,433*	1,378*	1,277*	1,175*	1,050*
				Low	1,369*	1,336*	1,293*	1,231*	1,161*	1,100*	979*	850*

*Not recommended for heating. Temperature rise may be outside acceptable range.

Accessories

Description	Used with	Kit Number
Combustible Floor Base	LHF/R84/95	ABASE537-1
Combustible Floor Base	LHF/R112/125	ABASE538-1
Clean Brush Out Kit	All models	ABRSH380-3
Vestibule Kit	LHF84/95	AVEST547-2
Vestibule Kit	LHF112/125	AVEST548-2
Filter Kit	LHF84/95	AFILT535-1
Filter Kit	LHF112/125	AFILT536-1
Filter Kit	LHR196	AFILT 561-1
Combustion Air Kit	All models	ABOOT571
Clean Out Cap Kit	All models	ACAP570
Tjerlund Side Wall Vent Kit ¹	All models	ASVNT522
Field Controls Side Wall Vent Kit ²	All models	ASVNT523

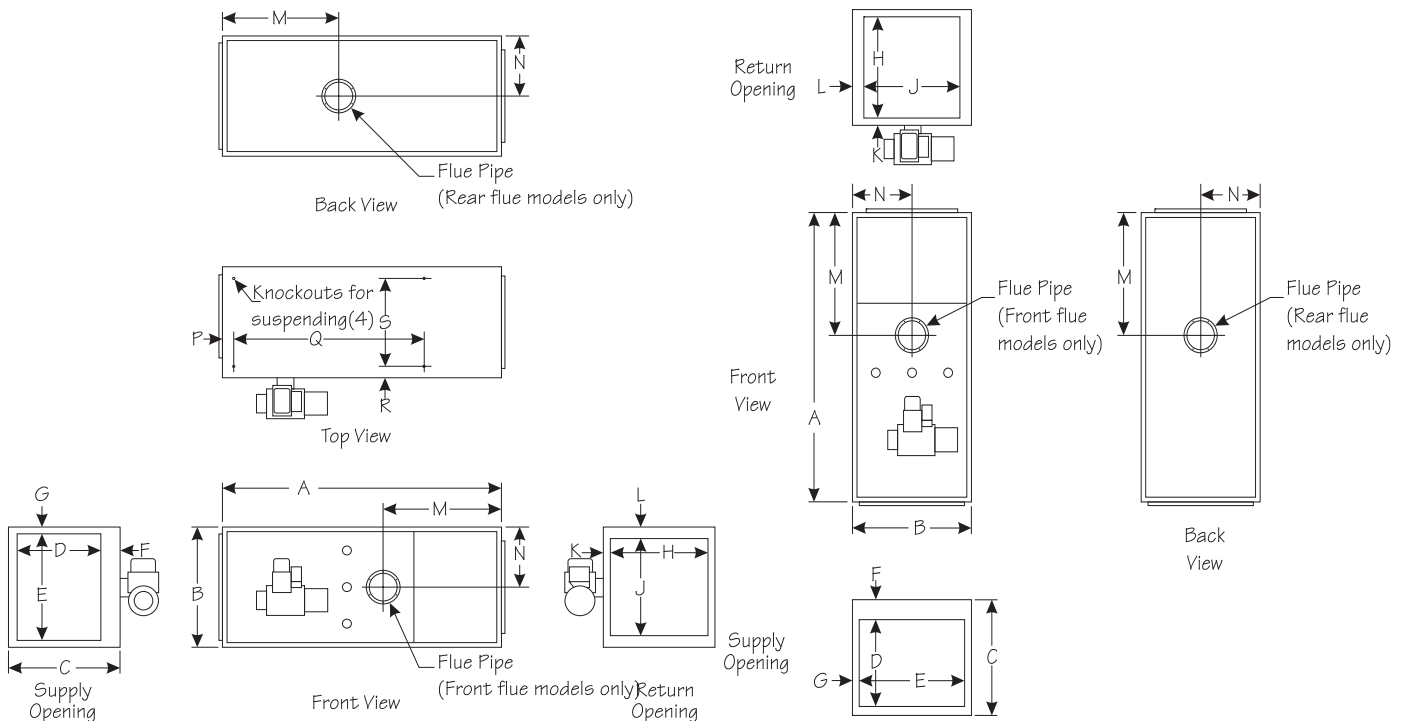
¹ This can be ordered from Tjerlund, part number SSIC.

² This can be ordered from Field Controls, part number SWG-5-CK61.

Dimensions (in.)

Model Number	A	B	C	D	E	F	G	H	J	K	L	M	N	P	Q	R	S
LHF80C84/95D12	59	20 1/2	20 1/2	18 1/4	18 1/4	1 1/4	1 1/4	18	18	1 1/4	1 1/4	32 1/2	10 1/4	3	53	3	14 1/2
LHF80C112/125D20	59	23 1/2	23 1/2	21 1/4	21 1/4	1 1/4	1 1/4	21	21	1 1/4	1 1/4	32 1/2	11 3/7	3	53	4 3/4	14 1/2
LHR80C57/72D12	59	20 1/2	20 1/2	18 1/4	18 1/4	1 1/4	1 1/4	18	18	1 1/4	1 1/4	32 1/2	10 1/4	3	53	3	14 1/2
LHR80C84/95D12																	
LHR80C112/125D20	59	23 1/2	23 1/2	21 1/4	21 1/4	1 1/4	1 1/4	21	21	1 1/4	1 1/4	32 1/2	11 3/7	3	53	4 3/4	14 1/2
LHR80C196D24	67	26 1/4	26 1/4	23 1/2	23 1/2	1 3/8	1 3/8	24	24	1 1/8	1 1/8	36 5/16	13 1/8	15	50	20	3 1/8

Clearances (in.)



Horizontal Position

Model	Front	Above	Rear	Flue	Bottom
LHF80C84/95D12	24	1	1	7	1
LHF80C112/125D20					
LHR80C57/72D12	24	1	1	7	1
LHR80C84/95D12					
LHR80C112/125D20					
LHR80C196D24					

Counterflow Position

Model	Front	Above	Rear	Flue
LHF80C84/95D12	16	0	1	7
LHF80C112/125D20				
LHR80C57/72D12	24	1	1	7
LHR80C84/95D12				
LHR80C112/125D20				

*Clearances to combustibles. Service access to the front of the appliance to remove the blower assembly is 18".

AIREASE

421 Monroe Street • Bellevue, OH 44811
(419) 483-4840
www.airease.com

