

**Installation Instructions for the In-Zone Sensor Mounting Plate (104101-01) used with Comfort Sync™ Zoning System In-Zone Sensor (1.851400)**

**⚠ WARNING**

Improper installation, adjustment, alteration, service or maintenance can cause property damage, personal injury or loss of life.

Installation and service must be performed by a licensed professional HVAC installer (or equivalent) or service agency.

**General**

This mounting plate may be used to cover old holes or mounting the thermostat directly to a single-gang junction box in either vertical or horizontal orientation.

**Shipping and Packaging**

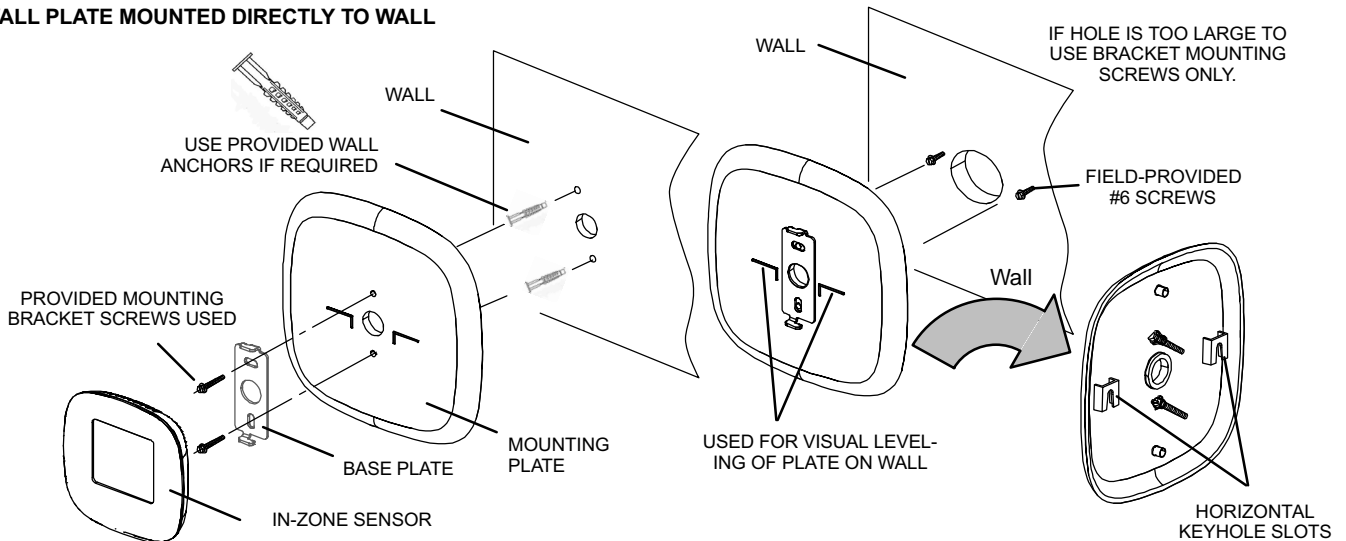
1 - Mounting plate

**Field Provided Parts and Tools**

The following items may be required for installation of the mounting plate depending on installation application.

- Phillips screwdriver
- 5/32" drill bit
- Electric drill
- (2) #6 screws
- Wall anchors (provided with In-Zone Sensor)

**WALL PLATE MOUNTED DIRECTLY TO WALL**



**WALL PLATE MOUNTED DIRECTLY TO SINGLE-GANG JUNCTION BOX**

NOTE: IF VERTICAL GANG BOX IS USED THE MOUNTING SCREW HEAD WILL BE VISIBLE BEHIND THE IN-ZONE SENSOR.

